

Popular 26x37x20mm Pull-in Type Solenoids DP2637H Series

Features

◁General use with phi 8 iron core.

Applications

- ◁Printer
- ◁Office equipment



Products Line (at 20degree Celsius)

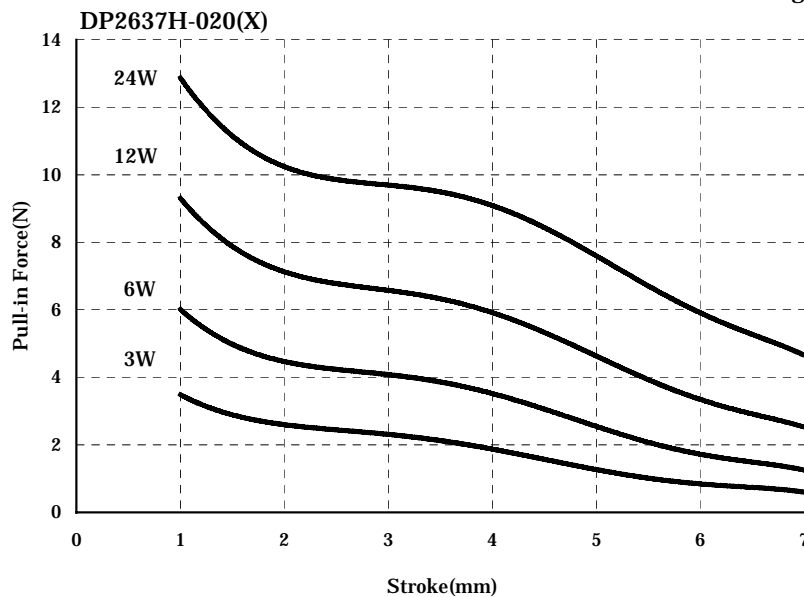
No	Products No.	Rated voltage	Coil Resistance	Rated duty	Pull-in force (initial)	Coil Temperature rise
1	DP2637H-020(X)	12V DC	20 ohm	ON Time 0.1sec max. OFF Time 2sec min.	3.4N min. <12V DC> < Stroke 4mm>	60deg C max. <12V DC> <ON Time 0.1sec OFF Time 2sec>

Typical Specifications

Item	Specifications
Insulation resistance	100 megohm min. 500V DC
Dielectric strength	500V AC for 1 min.
Insulation grade	JIS E class(except lead wire)
Operating life	50,000 cycles
Operation temperature range	-20 to +55 degree Celsius
Storage temperature range	-30 to +80 degree Celsius

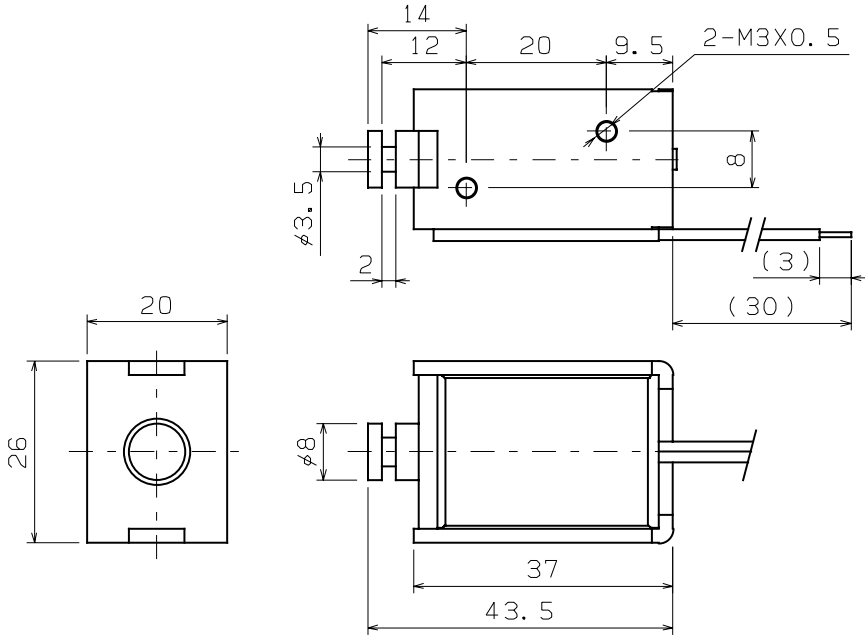
Pull-in Force (Typical value) <at 20 degree Celsius initial>

1N=102gf



Dimensions

Unit: mm

No	Style
1	<p>DP2637H-020(X)</p>  <p>The drawing includes three views: a front view showing a square body with a diameter of 20 mm and a height of 26 mm; a side view showing a total length of 43.5 mm and a mounting bracket diameter of 8 mm; and a detailed side view showing internal features with dimensions 14, 12, 20, 9.5, 2-M3X0.5, 8, 2, 3, and 30 mm. A note at the bottom states 'The dimensions at stroke 0mm'.</p>

Notes

1. The appearance and specifications of the product may be modified without prior notice to improve its performance.
2. This catalogue shows only outline specifications. When using the product, please obtain formal specifications.
3. Please see appendix [Cautions in Using Solenoids].
4. Please confirm the performance on actual operation by simulation with actual environments for high reliability.
5. Please avoid the storage in dusty environment. If you store the products for a long time, do not keep open the package.
6. Please take care for the usage in high humid atmosphere and design- in to meet the operating condition of the devices, for the coil resistance increases 0.4%/degree Celsius depending on the operating ambient temperature.
7. Please feel free to contact us for the models with other coil resistances, head types of movable iron core.