

Popular 11x20x7mm Pull-in Type Solenoids DP1120D Series

Features

◁Low profile design with phi 4 iron core.

Applications

◁CD-ROM, DVD-ROM

Actual size



Products Line (at 20degree Celsius)

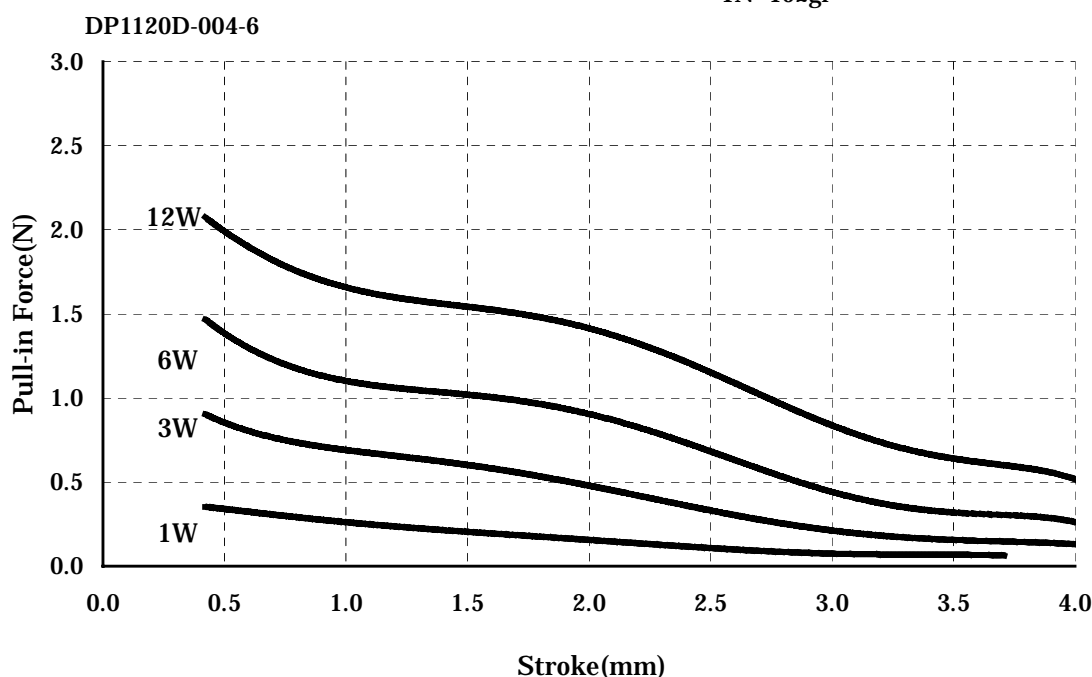
No	Products No.	Rated voltage	Coil resistance	Rated duty	Pull-in force (initial)	Coil Temperature rise
1	DP1120D-004-6	5V DC	4.3 ohm	ON Time 0.08sec max. OFF Time 0.5sec min.	1.0N min. <5V DC> < Stroke 1.0mm>	60deg C max. <5V DC> <ON Time 0.08sec OFF Time 0.5sec>

Typical Specifications

Item	Specifications
Insulation resistance	50 megohm min. 250V DC
Dielectric strength	250V AC for 1 min.
Insulation grade	JIS E class(except lead wire)
Operating life	10,000 cycles
Operation temperature range	-20 to +60 degree Celsius
Storage temperature range	-30 to +85 degree Celsius

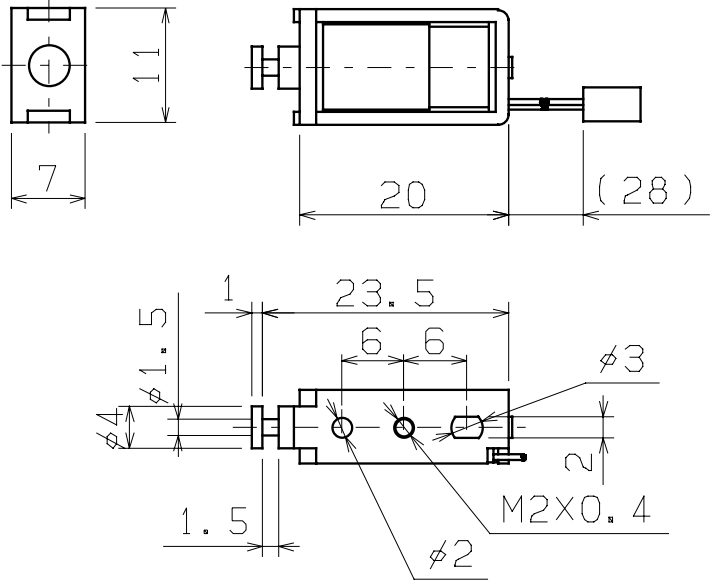
Pull-in Force (Typical value) <at 20 degree Celsius initial>

1N=102gf



Dimensions

Unit : mm

No	Style
1	<p>DP1120D-004-6</p>  <p>The dimensions at stroke 0mm</p>

Notes

1. The appearance and specifications of the product may be modified without prior notice to improve its performance.
2. This catalogue shows only outline specifications. When using the product, please obtain formal specifications.
3. Please see appendix [How to select solenoid].
4. Please confirm the performance on actual operation by simulation with actual environments for high reliability.
5. Please avoid the storage in dusty environment. If you store the products for a long time, do not keep open the package.
6. Please take care for the usage in high humid atmosphere and design- in to meet the operating condition of the devices, for the coil resistance increases 0.4%/degree Celsius depending on the operating ambient temperature.
7. Please feel free to contact us for the models with other coil resistances, head types of movable iron core.