

Flapper Type SOLENOIDS

DF2024 Series

Features

- ◁Miniature size of 16x17x20H
- ◁Shape of armature head is changeable at option to meet customers'needs.
- ◁Available with hook for protecting armature to come off.
- ◁Silent-design using thermal compressed polyurethane foam.



Applications

- ◁Control of paper feeding rollers of printer and other general rotors.

Products Line (at 20degree Celsius)

No	Products No.	Rated voltage	Coil Resistance	Rated duty	Pull-in force (initial)	Option
1	DF2024-090	24V DC	90 ohm	ON Time 0.5sec max. OFF Time 5.0sec min.	1.47N min. <24V DC> <Stroke 1.75mm>	Standard
2	DF2024-090-2					With hook

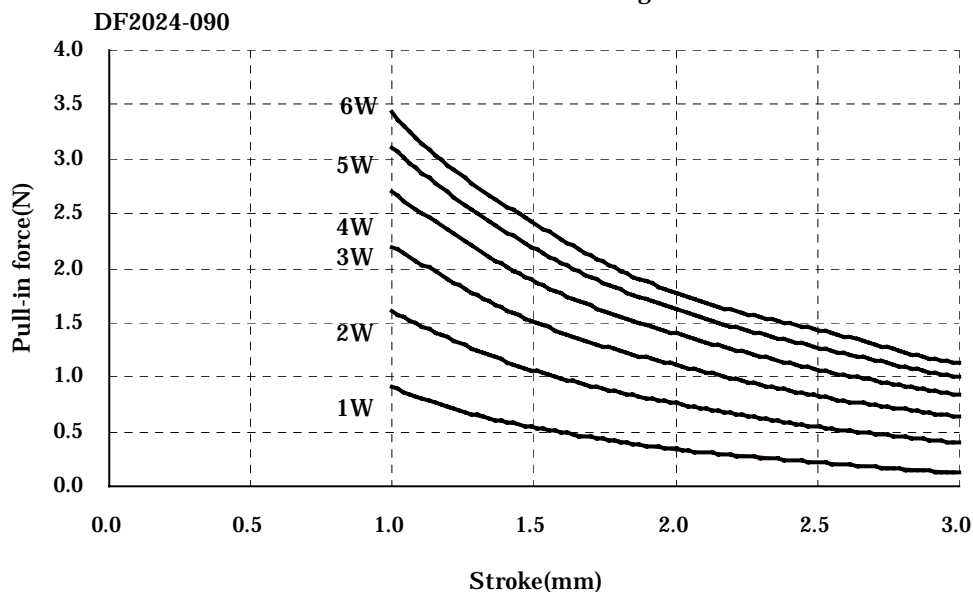
Notes: Pull-in force is based on stroke at tip of armature 2.3mm.

Typical Specifications

Item	Specifications
Insulation resistance	100megohm min. 250V DC
Dielectric strength	250V AC for 1 min.
Insulation grade	JIS E class(except lead wire)
Operating life	600,000 cycles
Operation temperature range	+5 to +35 degree Celsius
Storage temperature range	-10 to +50 degree Celsius

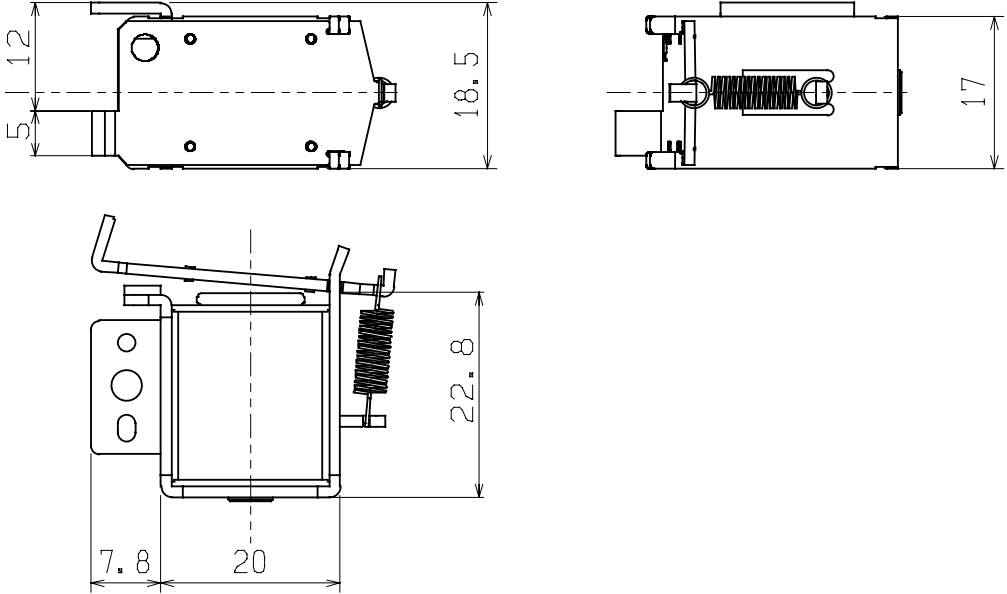
Pull-in Force (Typical value) <at 20 degree Celsius initial>

1N=102gf



Dimensions

Unit: mm

No	Style
1	DF2024-090 

Notes

1. The appearance and specifications of the products may be modified without prior notice to improve its performance.
2. This catalogue shows only outline specifications. When using the product, please obtain formal specifications.
3. Please see appendix [How to Select solenoid].
4. Please confirm the performance on actual operation by simulation with actual environments for high reliability.
5. Please avoid the storage in dusty environment. If you store the products for a long time, do not keep open the package.
6. Please take care for the usage in high humid atmosphere and design-in to meet the operating condition of the device, for the coil resistance increases 0.4%/degree Celsius depending on the operating ambient temperature.
7. Please feel free to contact us for the models with other coil resistances and shapes of armature-tip.