

# Flapper Solenoids DF1620E Series

## With Diode Protecting From Counter Electromotive Voltage,

### Features

- ◁ Equipped with diode protecting switch element from counter electromotive voltage at off time.
- ◁ Miniature size of 16x17x20H
- ◁ Shape of armature head is changeable at option to meet customers' needs.
- ◁ Available with hook for protecting armature to come off.
- ◁ Silent-design using thermal compressed polyurethane foam.



### Applications

- ◁ Control of paper feeding rollers of printer and other general rotors.

### Products Line (at 20degree Celsius)

No	Products No.	Rated Voltage	Coil Resistance	Rated Performance	Pull-in Force	Options
1	DF1620E-060-1	24V DC	60 ohm	ON Time 0.3sec max. OFF Time 2.2sec min.	0.31N min. <Stroke 2.3mm>	Wire binder
2	DF1620E-060-2					Armature head

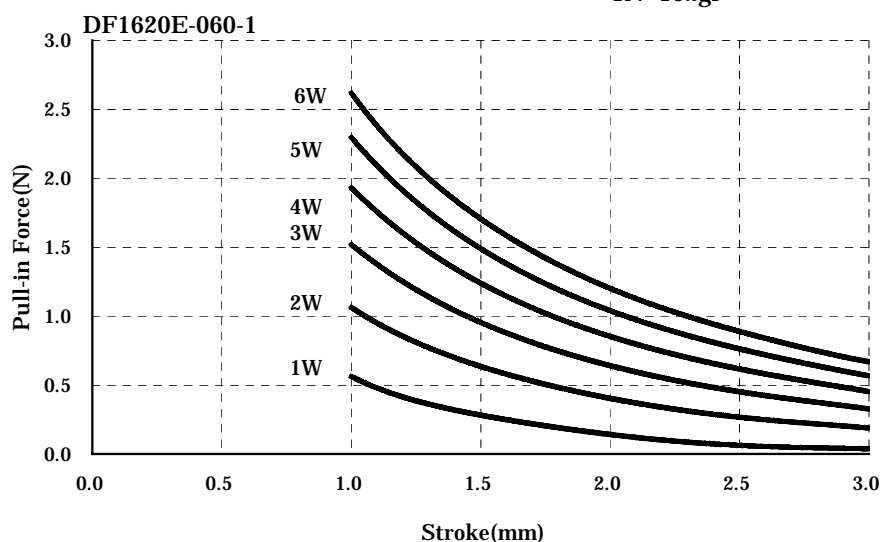
Notes: Pull-in force is based on 21.6V DC, ambient temperature 40degree Celsius, after coil temperature saturated at rated operation and stroke at tip of armature 2.3mm.

### Typical Specifications

Item	Specification
Insulation Resistance	100 megohm min. 500V DC
Withstanding Voltage	1000V AC for 1 min.
Insulation Class	JIS E (except lead wire)
Operating Life	200,000 cycles
Operating Temperature	0 to +50 degree Celsius
Storage Temperature	-10 to +50 degree Celsius

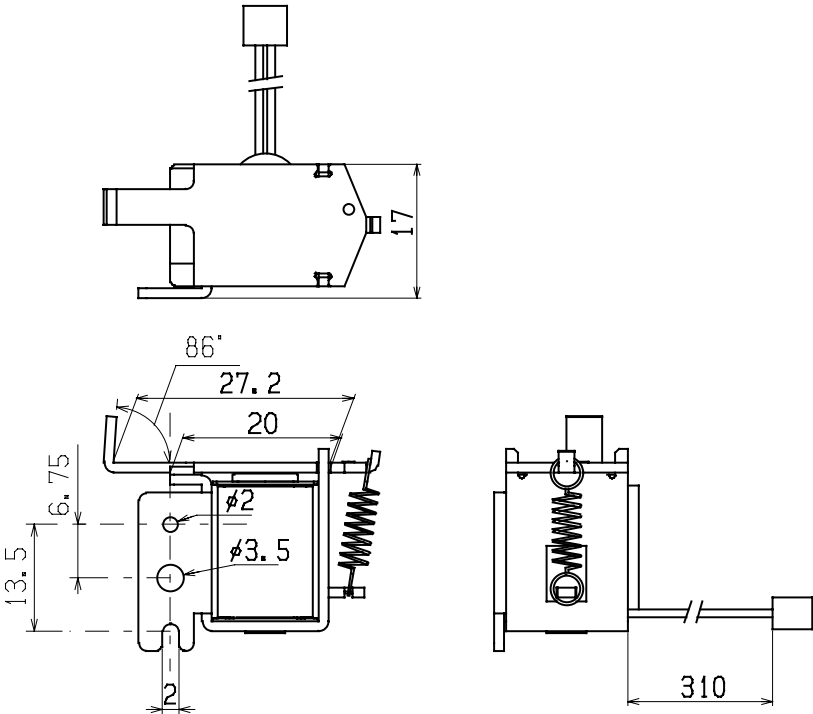
### Pull-in Force (Typical value) <at 20 degree Celsius initial>

1N=102gf



## Dimensions

Unit: mm

No	Style
1	DF1620E-060-1 

## Notes

1. The appearance and specifications of the products may be modified without prior notice to improve its performance.
2. This catalogue shows only outline specifications. When using the product, please obtain formal specifications.
3. Please see appendix [How to Select solenoid].
4. Please confirm the performance on actual operation by simulation with actual environments for high reliability.
5. Please avoid the storage in dusty environment. If you store the products for a long time, do not keep open the package.
6. Please take care for the usage in high humid atmosphere and design-in to meet the operating condition of the device, for the coil resistance increases 0.4%/degree Celsius depending on the operating ambient temperature.
7. Please feel free to contact us for the models with other coil resistances and shapes of armature-tip.